

KX80S

80mm Receipt/Ticket Kiosk Printer



Key points

Printing speed

high: 300 mm/s

Robust cutter

full and partial cutting

Roll holder and NPE

integrated

Anti-jam

design

Easy

to inspect and use

Applications

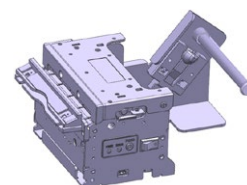
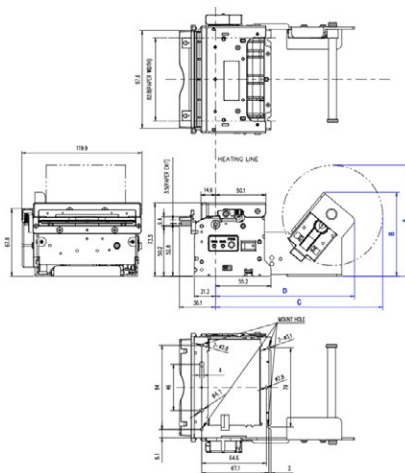
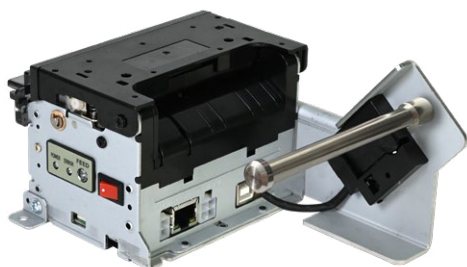
- Vending machines
- Self-service
- Queue management systems
- Information kiosks
- Automatic payments
- Parking

KX80S is the **ultra fast** printer for receipts and tickets. Its **sturdy cutter** is capable of delivering full as well as partial cuts. Its **compact design**, easy inspection features, and its **integrated Roll holder**, make it a reliable and flexible device.

KX80S - 80mm Receipt/Ticket Kiosk Printer

Features

Printing Method	Thermal
Resolution	203 dpi
Printing speed	max 300 mm/s
Paper width	80/82.5 mm
Paper thickness	50 to 200 µm
Roll diameter	100 mm
Interfaces	Serial RS232C, USB 2.0, Ethernet
Barcodes	UPC-E, EAN8, EAN13, ITF, CODABAR, CODE39, CODE93, CODE128, PDF417, QR CODE
Character Set	European, English, American, Japanese, Korean
Cutter MTBF	1M cuts, full or partial cutting
Head MTBF	150Km
Sensors	Cutter Home, Blackmark, Paper presence, Near paper end, Door opening
Drivers	Windows Driver, Printer Driver Installer
Utility	Memory switch setting Utility, Logo setup tool, Firmware update
Dimensions (with 100 mm roll)	119.9 mm (L) x 187.8 mm (W) x 110.8 mm (H)



Available models

P/N	Description
915PF020100700	PRINTER KX80S ETH USB RS232 WITH ROLL HOLDER

Accessories

P/N	Description
963GE020000071	POWER SUPPLY 60W MSO+RC CONNECTOR DIN
269000000000005	CABLE ADAPTER POWER SUPPLY
976PF010000001	RS232 CABLE DB9-MOLEX 4PIN

Scan or click the QR CODE and find out more about **CUSTOM**

