



KBR2D-C



KBR2D

# KBR2D

## KIOSK BARCODE READER

KBR2D is the family of barcode scanners designed for self-service kiosks, ATMs, price checkers, healthcare and for any OEM application, also available in a plastic case version (KBR2D-C). KBR2D is a high-performance, high-volume omnidirectional scanner, capable of quickly and accurately reading any 1D and 2D barcodes, whether printed on paper (badges, receipts, health bracelets) or displayed on the screen of a smartphone or of a tablet. KBR2D scanners are based on CMOS technology for optimal image sensitivity and dynamic range. KBR2D integration is quick and easy thanks to several mounting options.

Follow us



[www.custom.biz](http://www.custom.biz) - [info@custom.biz](mailto:info@custom.biz)

## KBR2D COVERED/NAKED (KBR2D-C/KBR2D) SPECIFICATIONS

	KBR2D-C	KBR2D
<b>GENERAL</b>		
INTERFACE	USB-HID(or VIRTUAL COM PORT)	RS232/USB-HID(or VIRTUAL COM PORT)
BARCODES SUPPORTED (1D)	UPC-A, UPC-E, EAN-8/JAN-8, EAN-13/JAN-13, Code 39, Code 128, Interleaved 25, Industrial 25, Matrix 25, Codabar/NW7, Code 93, China Post, MSI/Plessey, Telepen, GS1 Databar Omni-directional, GS1 Databar Limited, GS1 Databar Expanded	
BARCODES SUPPORTED (2D)	Data Matrix, PDF 417, QR Code, Micro QR Code, Dot Code DISABLED BY DEFAULT: Aztec, Micro PDF 417, Han Xin Code, GM Code	

### ELECTRICAL

SUPPLY VOLTAGE	DC+5V±5%
CURRENT DRAW WHEN SCANNER STAND-BY WHEN OPERATION	40mA ± 10% 380mA ± 10%

### PERFORMANCE

LIGHT SOURCE	White light LED
SENSOR	1280 (H) x 800 (V) pixels
FIELD OF VIEW	Horizontal – 55°, Vertical – 35°
SCAN RATE	60 fps (at full resolution)
READING DISTANCE	From 3 to 28 cm
PRINT CONTRAST RATIO	PCS30%@5mil/0.127 mm
RESOLUTION	3mil/0.076 mm@PCS90% Code39, 8mil/0.2 mm@PCS90% QRCode
READING ANGLE PITCH ANGLE/SKEW TOLERANCE	Test Conditions: Code 39, 10mil/0.25 mm, PCS90% 5°~60° (±5°)
AMBIENT LIGHT	Works in any lighting conditions from 0 to 100,000 lux
ROLL	360°
INDICATOR	Good read beep

### ENVIRONMENTAL

OPERATING TEMPERATURE	0°C to 50°C
STORAGE TEMPERATURE	-20°C to 70°C
RELATIVE HUMIDITY	20% to 95% (Non-condensing)

### RELIABILITY

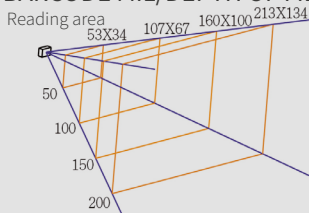
LIFE TIME MTBF(CALCULATED)	50,000 hours
THERMAL SHOCK HIGH TEMP. LOW TEMP. CYCLE TIME	60°C -20°C 30 minutes for high temp./30 minutes for low temp.
MECHANICAL SHOCK	2000G, 0.7ms, half sinus, 3axes'
VIBRATION	8G r.m.s, from 10 to 500Hz, 2 hours per axis, 3 axes

## KBR2D COVERED/NAKED (KBR2D-C/KBR2D) SPECIFICATIONS

	KBR2D-C	KBR2D
<b>PHYSICAL</b>		
<b>WEIGHT</b>		
READER	106 g (optical + board + case)	28 g (optical + board)
USB CABLE	51 g	
<b>MATERIAL</b>	Polycarbonate	
<b>DIMENSION</b>	56 mm W x 69 mm D x 28 mm H	38.85 mm W x 23.50 mm x 5.20 mm H

### READING RANGE

#### BARCODE MIL/DEPTH OF FIELD MM

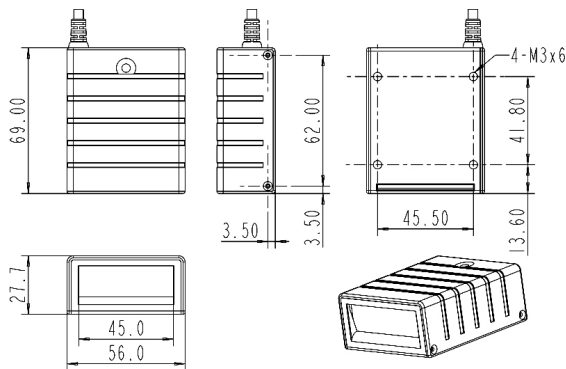


3mil Code39	50~90 mm	3mil Code39	60~100 mm
4mil Code39	45~100 mm	4mil Code39	55~110 mm
10mil Code39	30~220 mm	10mil Code39	50~220 mm
20mil Code39	30~280 mm	20mil Code39	50~300 mm
20mil QRCode	30~210 mm	20mil QRCode	50~200 mm
20mil PDF417	30~120 mm	20mil PDF417	50~120 mm

Note: The test is under ambient light 700 ~ 800 Lux.

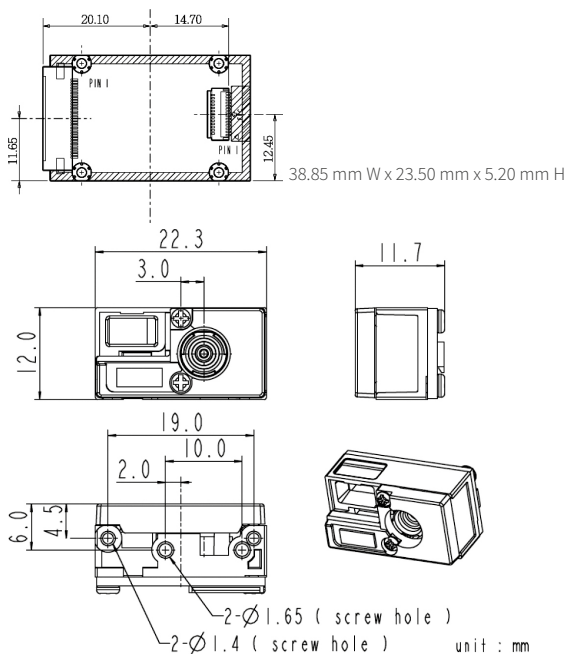
The difference in depth of field between the two models depends on the fact that in the KBR2D-C model the optics are housed in a frame.

### KBR2D-C



56 mm W x 69 mm D x 28 mm H

### KBR2D



### FEATURES

- **Easily integrated** with various OEM applications
- 1D and 2D barcode scanning
- **Omnidirectional scanning:** no need to align barcode and scanner, ensuring user comfort and protecting productivity
- **Long distance reading** from 3 to 28 cm without problems even in ambient light (100,000 lux)
- **Reading barcodes on screens** of smartphones or tablets even with brightness reduced to 25/30%
- Red colored pointer for precise aiming and optimal barcode acquisition
- **Flexibility:** various external mounting options or internal screw holes
- **Integrated decoder**
- **Custom ScannerSet** configuration software



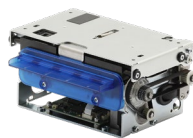
## COMPLETE SOLUTIONS FOR YOUR SELF-SERVICE APPLICATION

**KIOSK PRINTERS AND DOCUMENTS SCANNER**

**KIOSK BARCODE READER**



VKP80III



A6 SCANNER



KBR2D-C

KBR2D

[www.custom.biz](http://www.custom.biz)  
[info@custom.biz](mailto:info@custom.biz)

